

ISOLATING FLANGES

APPLICATION:

Isolating flanges are used on gas pipeline, gas fittings, water supply system, oil pipeline and other pipelines, which are necessary to protect from wandering flows.

Experience shows that these types IP-G isolating flanges are successfully used in cathode protection of all steel installations.

Installation of isolating flanges prevent transmission of wandering flows to intensity voltage up to 5000 V. Examined voltage of isolating flanges is 10000 V.

Isolating flanges are built in steel pipelines through which non-aggressive gases and liquids flow to temperature at 60°C. Isolating type IP-G are designed for aboveground installation, as well as the underground installation and they are marked as IP/P-G. Isolating flanges are resistant on atmospheric influence.

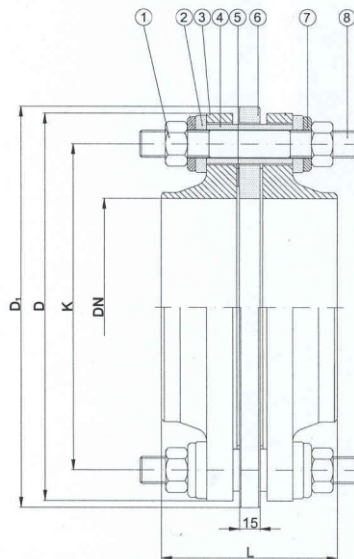
INSTALLATION PROCEDURE:

Isolating flanges are installed from both side of the neck of the flange, they are fixated on four different places by weld for pipe installation, and then separated so that there wouldn't be no damage to the isolating parts of the flange after welding.

After complete welding it is necessary for flange to cull down, the next step is to connect isolating flanges, screw should be crossways tighten to satisfied impermeability of gasket join of isolating flanges.

Pos. Part name

1. screw
2. isolating ring
3. flange
4. isolating pipe
5. straight seal
6. isolating ring
7. ring
8. nut



DN	dimensions in mm					
	D	D ₁	L	k	nut pcs.	nut size
25(1")	115	125	94	85	4	M12
32(1 1/4")	140	150	99	100	4	M16
40(1 1/2")	150	160	105	110	4	M16
50(2")	165	175	109	125	4	M16
65(2 1/2")	185	195	109	145	4	M16
80(3")	200	210	119	150	8	M16
100(4")	220	230	124	180	8	M16
125(5")	250	260	129	210	8	M16
150(6")	285	295	129	240	8	M20
200(8")	340	350	144	295	12	M20
250(10")	405	415	159	355	12	M24
300(12")	460	470	174	410	12	M24



We keep right to make technical changes!